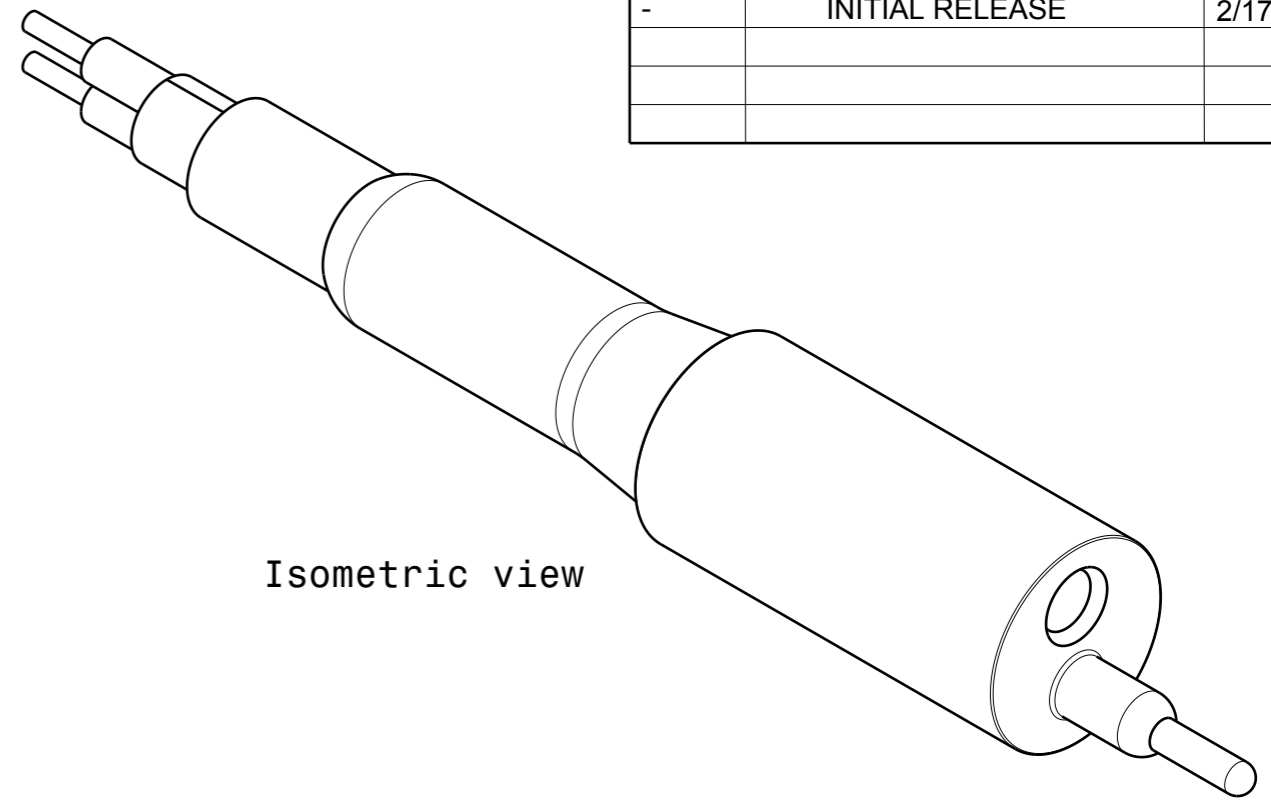
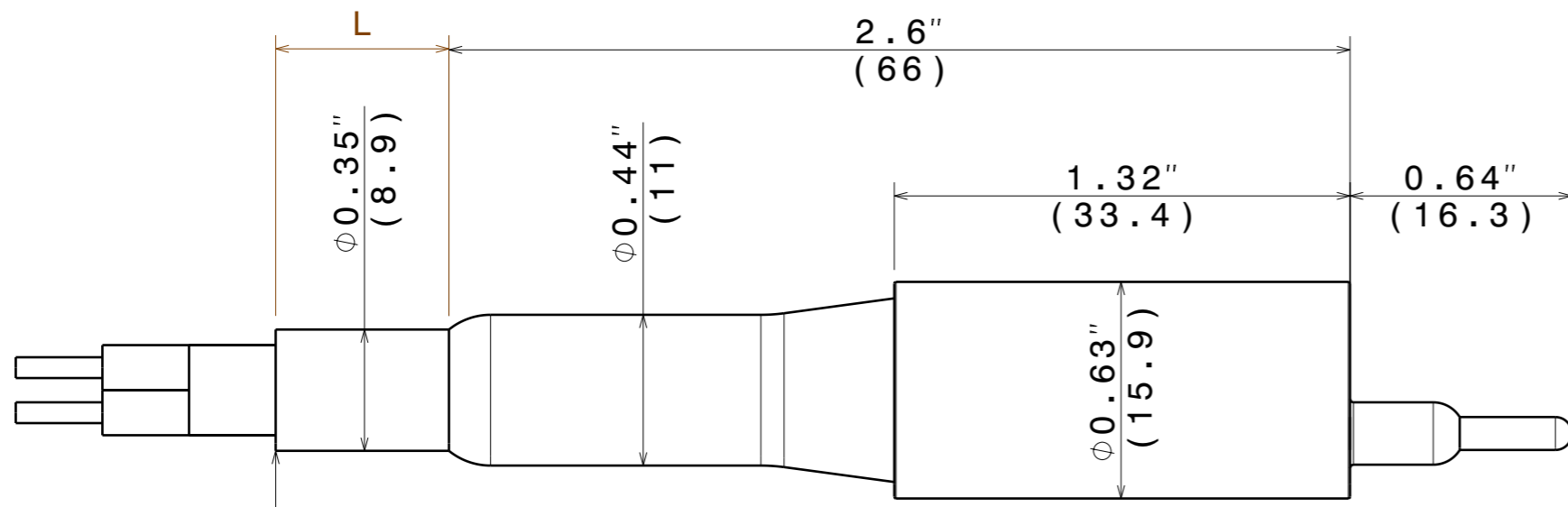


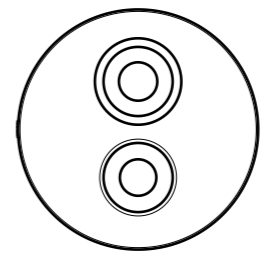
Rev.	Description	Date
-	INITIAL RELEASE	2/17/12



Isometric view



Front view



Right view

2/C 16 AWG CABLE
WIRES SHOWN FOR REFERENCE ONLY, CABLE END IS CUT FLUSH AT SHEATH

Pin Material: CA-360 Brass, Gold Plated
 Socket Material: Beryllium Copper, Gold Plated
 Connector Body: Neoprene
 Cable Material: Cable specific, typically EPDM
 Depth Rating: 10,000 ft. Seawater
 Current Rating (16g): 12A / 600V

Dimensions are for reference only. Normal variation in overmolding, cable manufacture, and other manufacturing processes will occur. Customer is responsible for verifying dimensions in critical applications.

	© WET CONNECT 2012 ALL RIGHTS RESERVED THIS DOCUMENT IS SUPPLIED IN CONFIDENCE. NO REPRODUCTION OF THE DOCUMENT OR ANY PART OF IT OR OF THE ITEMS SHOWN THEREON MAY BE MADE WITHOUT THE COPYRIGHT OWNERS WRITTEN PERMISSION.	
		www.wet-connect.com
Dimension format: unless otherwise noted	Inches (mm)	Engineer: DH
2-PIN HERMAPHRODITIC CABLE, 16AWG		Sheet
Drawing No: 2P-HM-16-2	Rev -	1 1