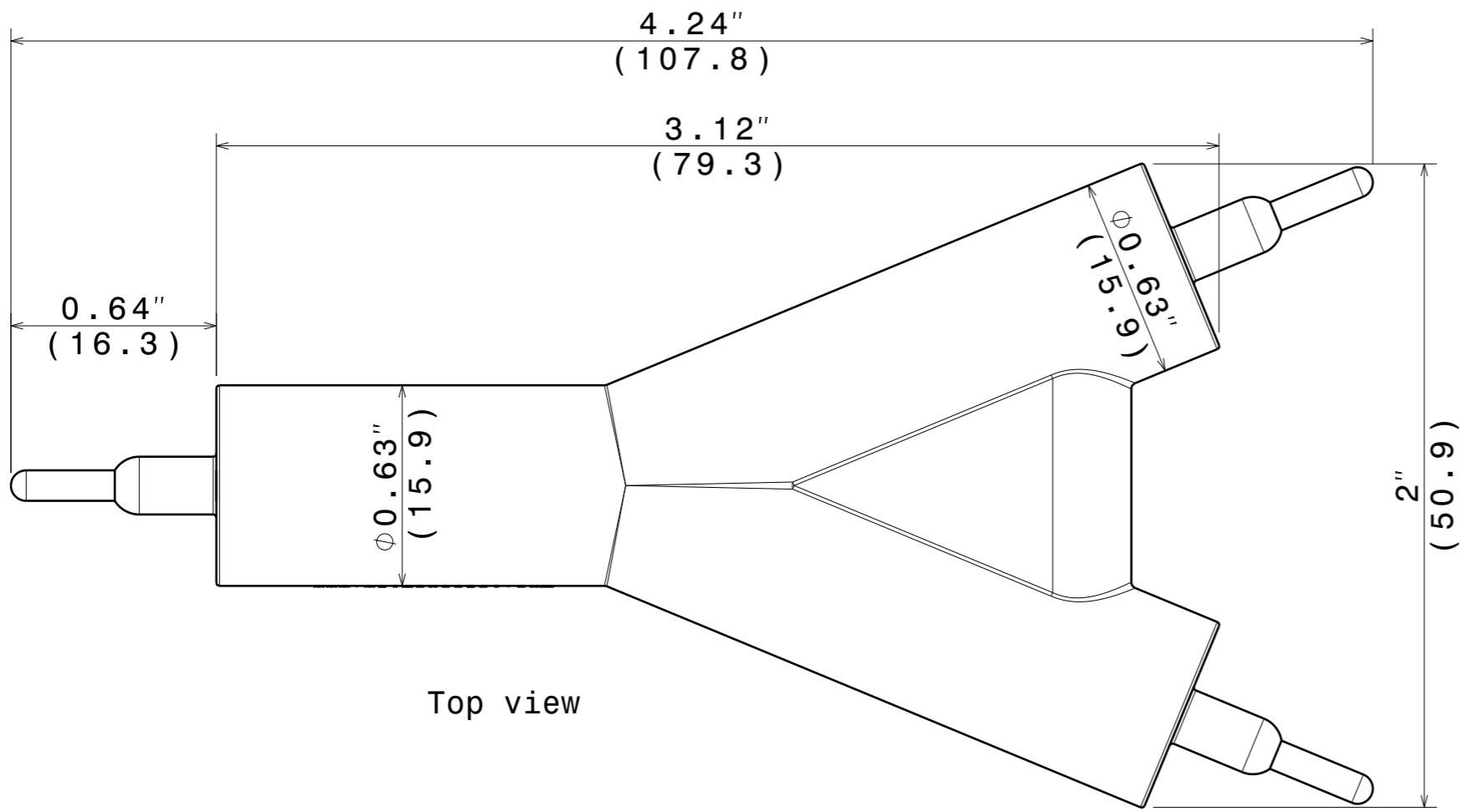
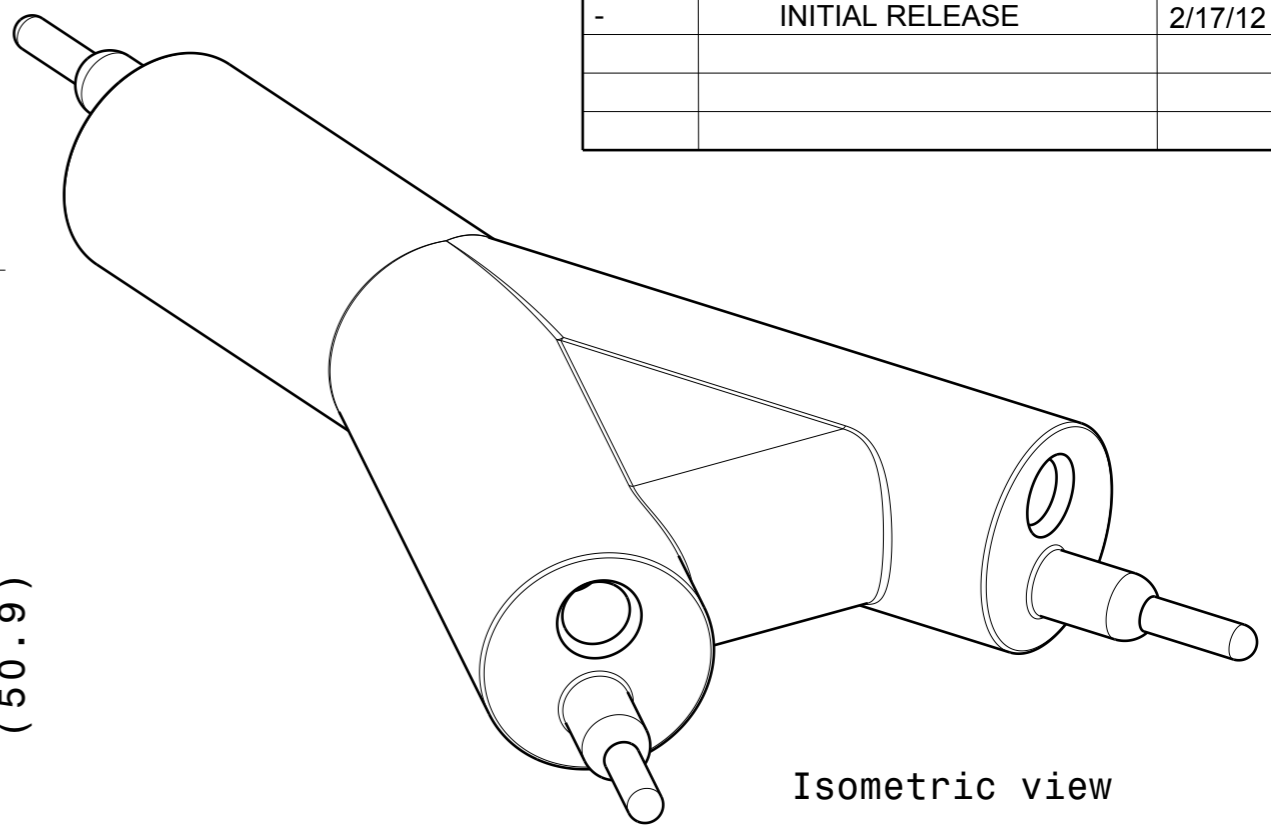


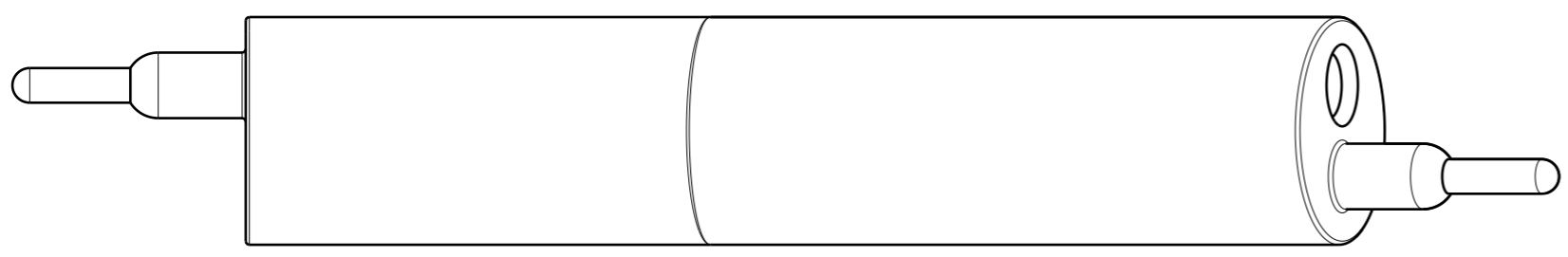
Rev.	Description	Date
-	INITIAL RELEASE	2/17/12



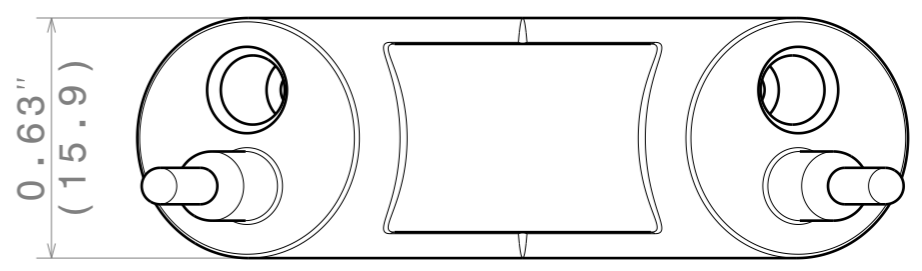
Top view



Isometric view



Front view



Right view

Pin Material: CA-360 Brass, Gold Plated  
 Socket Material: Beryllium Copper, Gold Plated  
 Connector Body: Neoprene  
 Depth Rating: 10,000 ft. Seawater  
 Current Rating: 15A / 600V

Dimensions are for reference only. Normal variation in overmolding, cable manufacture, and other manufacturing processes will occur. Customer is responsible for verifying dimensions in critical applications.

	<small>© WET CONNECT 2012 ALL RIGHTS RESERVED</small> <small>THIS DOCUMENT IS SUPPLIED IN CONFIDENCE. NO REPRODUCTION OF THE DOCUMENT OR ANY PART OF IT OR OF THE ITEMS SHOWN THEREON MAY BE MADE WITHOUT THE COPYRIGHT OWNERS WRITTEN PERMISSION.</small>									
	<small>THIRD ANGLE PROJECTION</small>	<a href="http://www.wet-connect.com">www.wet-connect.com</a>								
<small>Dimension format: unless otherwise noted</small>	<small>Inches (mm)</small>	<small>Engineer: DH</small>								
<b>2-PIN HERMAPHRODITIC Y</b>		<table border="1"> <tr> <td>Sheet</td> <td>1</td> </tr> <tr> <td>Drawing No:</td> <td>2P-HM-Y</td> </tr> <tr> <td>Rev</td> <td>-</td> </tr> <tr> <td></td> <td>1</td> </tr> </table>	Sheet	1	Drawing No:	2P-HM-Y	Rev	-		1
Sheet	1									
Drawing No:	2P-HM-Y									
Rev	-									
	1									