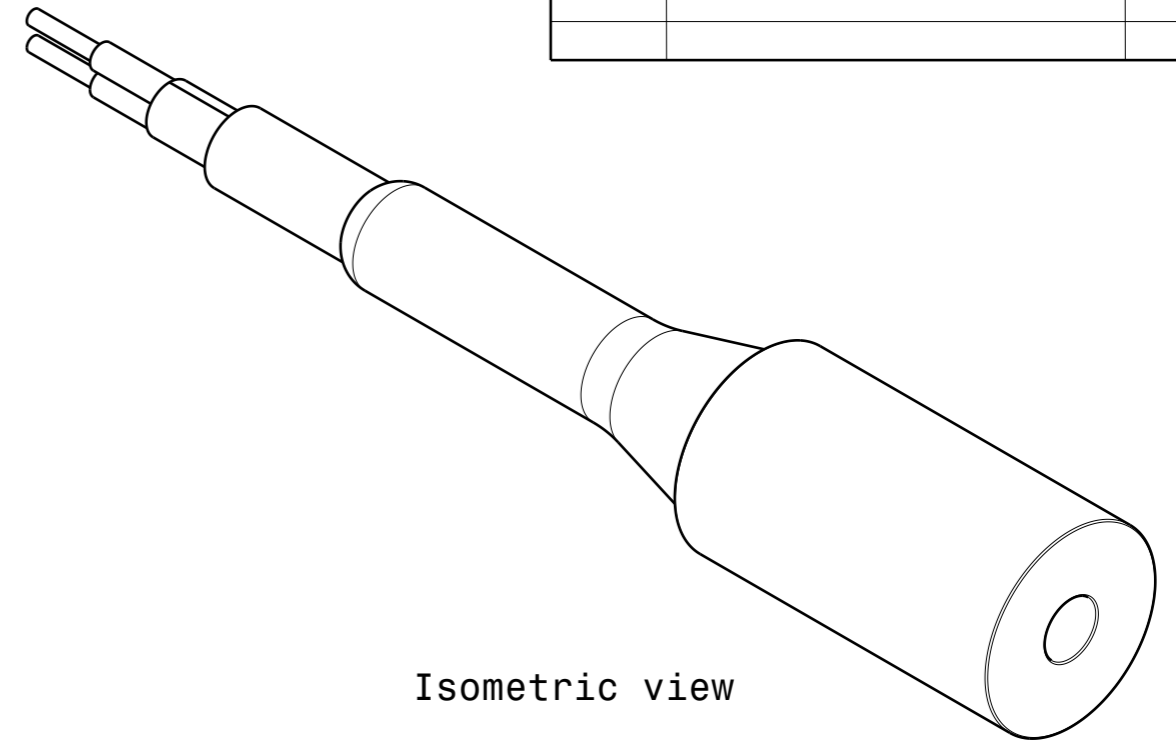
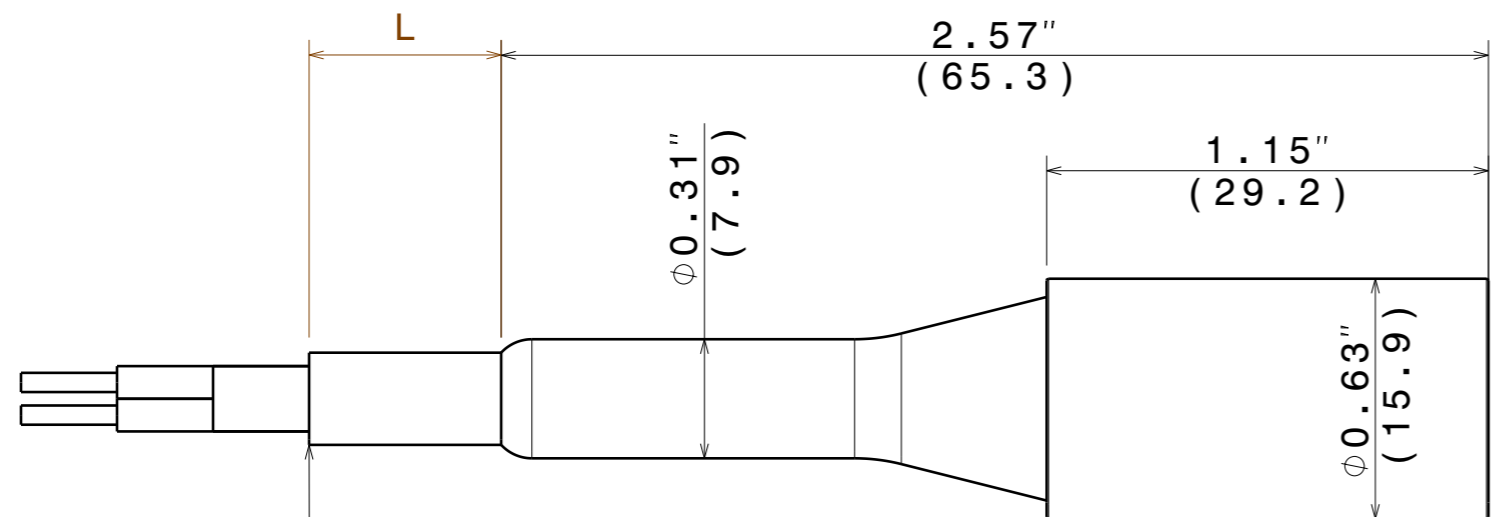


Rev.	Description	Date
-	INITIAL RELEASE	2/17/12

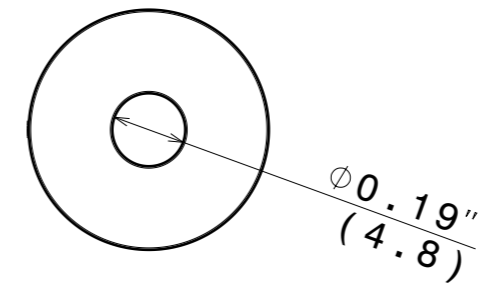


Isometric view



Front view

2/C 18 AWG CABLE  
WIRES SHOWN FOR REFERENCE ONLY, CABLE END IS CUT FLUSH AT SHEATH



Right view

Socket Material: Beryllium Copper, Gold Plated  
Connector Body: Neoprene  
Cable Material: Cable specific, typically EPDM  
Depth Rating: 10,000 ft. Seawater  
Current Rating (18g): 10A / 300V

Dimensions are for reference only. Normal variation in overmolding, cable manufacture, and other manufacturing processes will occur. Customer is responsible for verifying dimensions in critical applications.

	© WET CONNECT 2012 ALL RIGHTS RESERVED THIS DOCUMENT IS SUPPLIED IN CONFIDENCE. NO REPRODUCTION OF THE DOCUMENT OR ANY PART OF IT OR OF THE ITEMS SHOWN THEREON MAY BE MADE WITHOUT THE COPYRIGHT OWNERS WRITTEN PERMISSION.	
		<a href="http://www.wet-connect.com">www.wet-connect.com</a>
Dimension format: unless otherwise noted	Inches (mm)	Engineer: <b>DH</b>
<b>2-PIN INLINE FEMALE CABLE, 18AWG</b>		Sheet
Drawing No: <b>2P-IL-F-18-2</b>	Rev -	<b>1</b> <b>1</b>