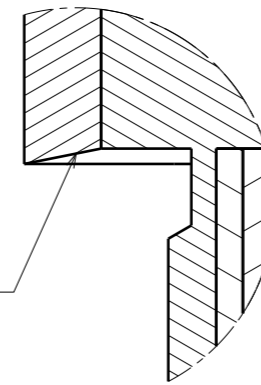
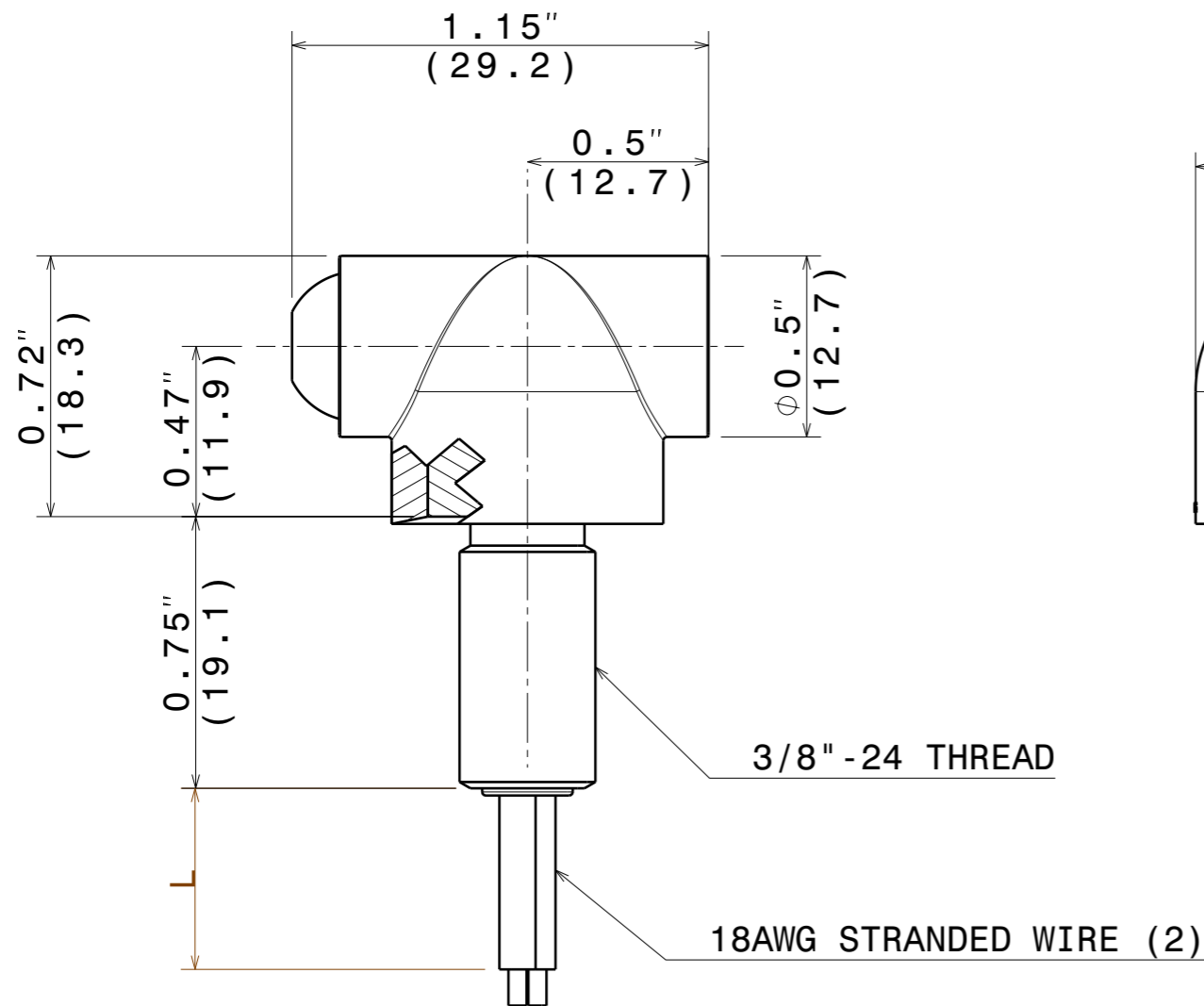


Rev.	Description	Date
-	INITIAL RELEASE	2/17/12

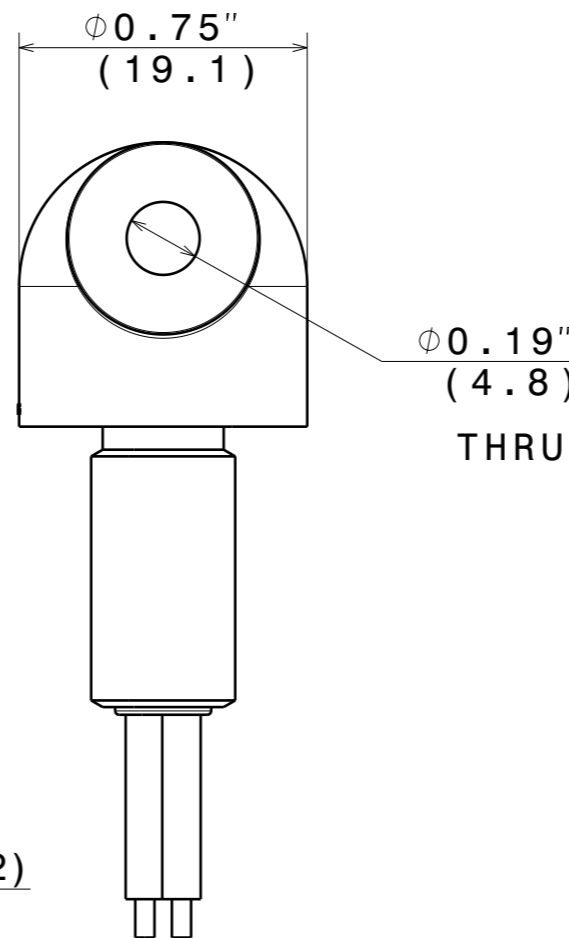
Integral seal  
compresses when  
installed



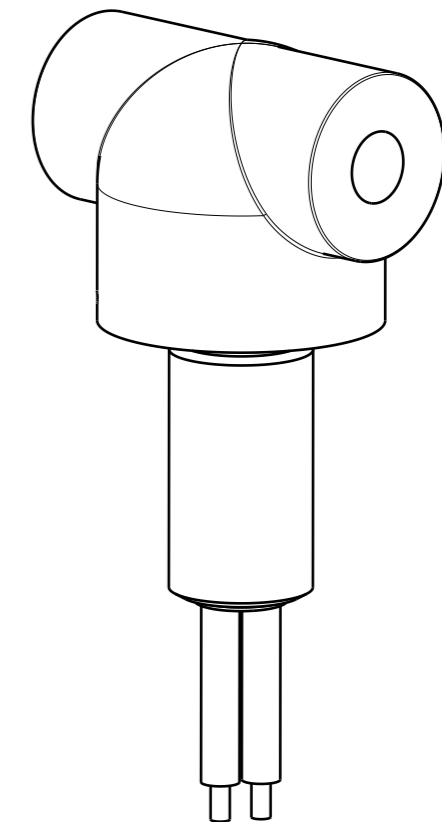
Seal Detail



Front view



Right view



Isometric view

Socket Material: Beryllium Copper, Gold Plated  
Connector Body: Neoprene  
Cable Material: Cable specific, typically EPDM  
Depth Rating: 10,000 ft. Seawater  
Current Rating (18g): 10A / 300V

Bulkhead Insert/body: CA-360 Brass

Dimensions are for reference only. Normal variation in overmolding, cable manufacture, and other manufacturing processes will occur. Customer is responsible for verifying dimensions in critical applications.

	<small>© WET CONNECT 2012 ALL RIGHTS RESERVED</small> <small>THIS DOCUMENT IS SUPPLIED IN CONFIDENCE. NO REPRODUCTION OF THE DOCUMENT OR ANY PART OF IT OR OF THE ITEMS SHOWN THEREON MAY BE MADE WITHOUT THE COPYWRITE OWNERS WRITTEN PERMISSION.</small>	
	<small>THIRD ANGLE PROJECTION</small>	<a href="http://www.wet-connect.com">www.wet-connect.com</a>
<small>Dimension format: unless otherwise noted</small>	<small>Inches (mm)</small>	<small>Engineer: DH</small>
<b>2-PIN INLINE FEMALE BULKHEAD, 90°, 3/8" -24 THREAD</b>		<small>Sheet</small>
<small>Drawing No:</small> <b>2P-IL-F-BH-90-3750</b>	<small>Rev</small> -	<b>1</b> <b>1</b>