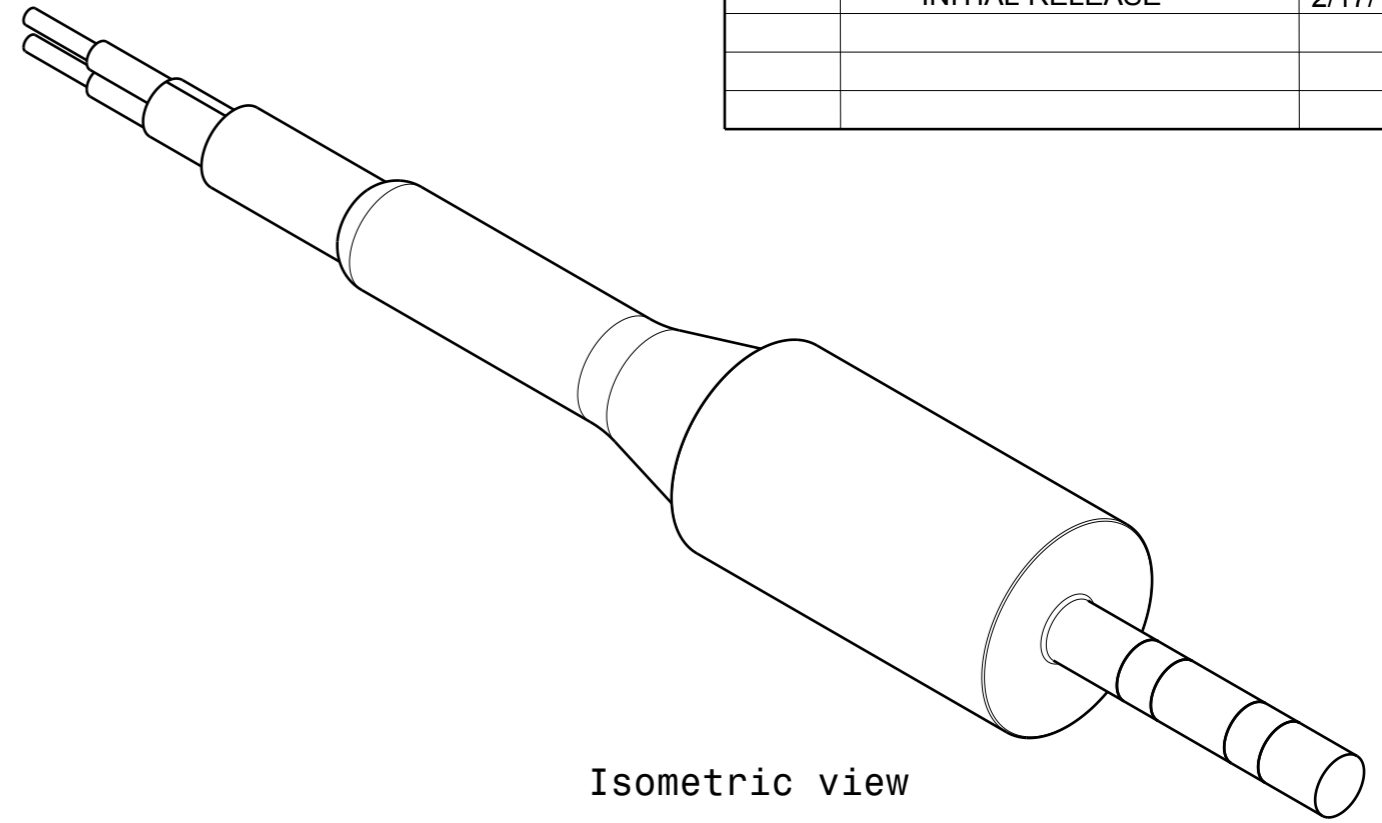
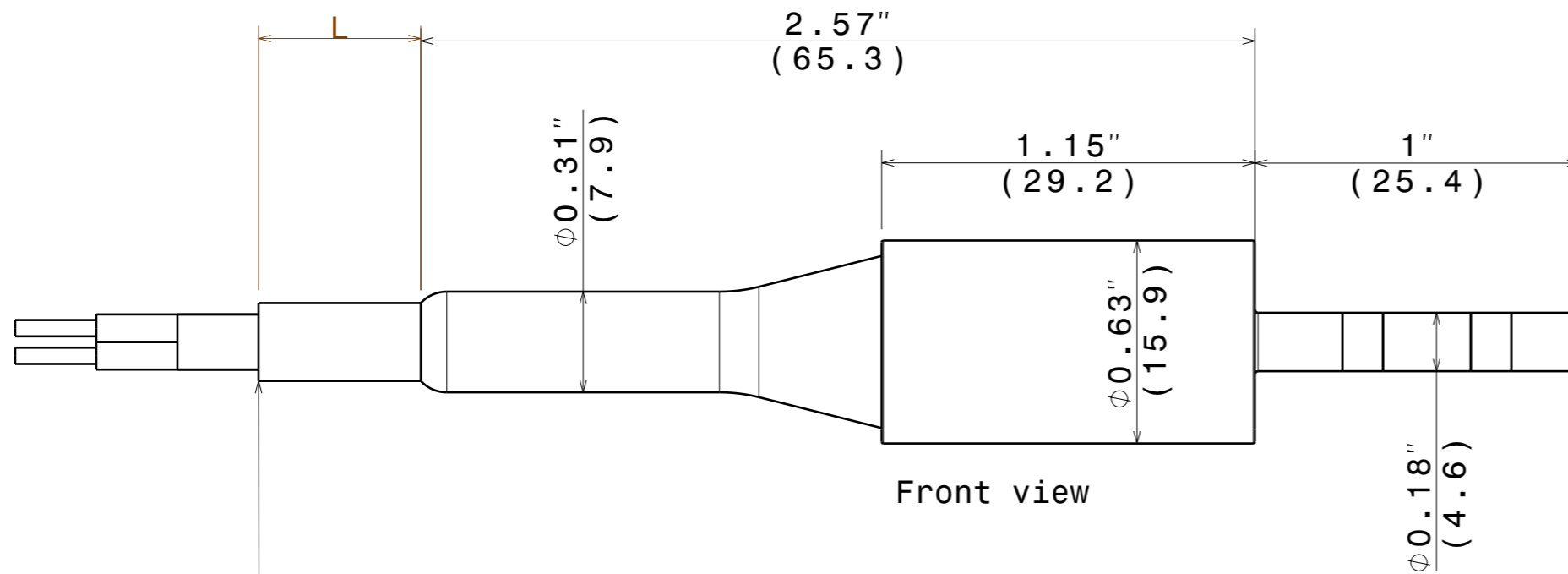


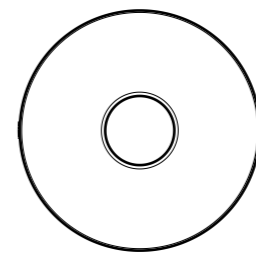
Rev.	Description	Date
-	INITIAL RELEASE	2/17/12



Isometric view



Front view



Right view

2/C 18 AWG CABLE
WIRES SHOWN FOR REFERENCE ONLY, CABLE END IS CUT FLUSH AT SHEATH

Pin Material: CA-360 Brass, Gold Plated
Connector Body: Neoprene
Cable Material: Cable specific, typically EPDM
Depth Rating: 10,000 ft. Seawater
Current Rating (18g): 10A / 300V

Dimensions are for reference only. Normal variation in overmolding, cable manufacture, and other manufacturing processes will occur. Customer is responsible for verifying dimensions in critical applications.

	© WET CONNECT 2012 ALL RIGHTS RESERVED THIS DOCUMENT IS SUPPLIED IN CONFIDENCE. NO REPRODUCTION OF THE DOCUMENT OR ANY PART OF IT OR OF THE ITEMS SHOWN THEREON MAY BE MADE WITHOUT THE COPYRIGHT OWNERS WRITTEN PERMISSION.	
		www.wet-connect.com
Dimension format: unless otherwise noted	Inches (mm)	Engineer: DH
2-PIN INLINE MALE CABLE, 18AWG		Sheet
Drawing No: 2P-IL-M-18-2	Rev	1 - 1