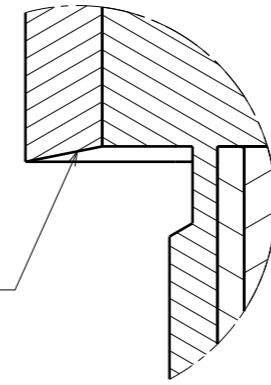
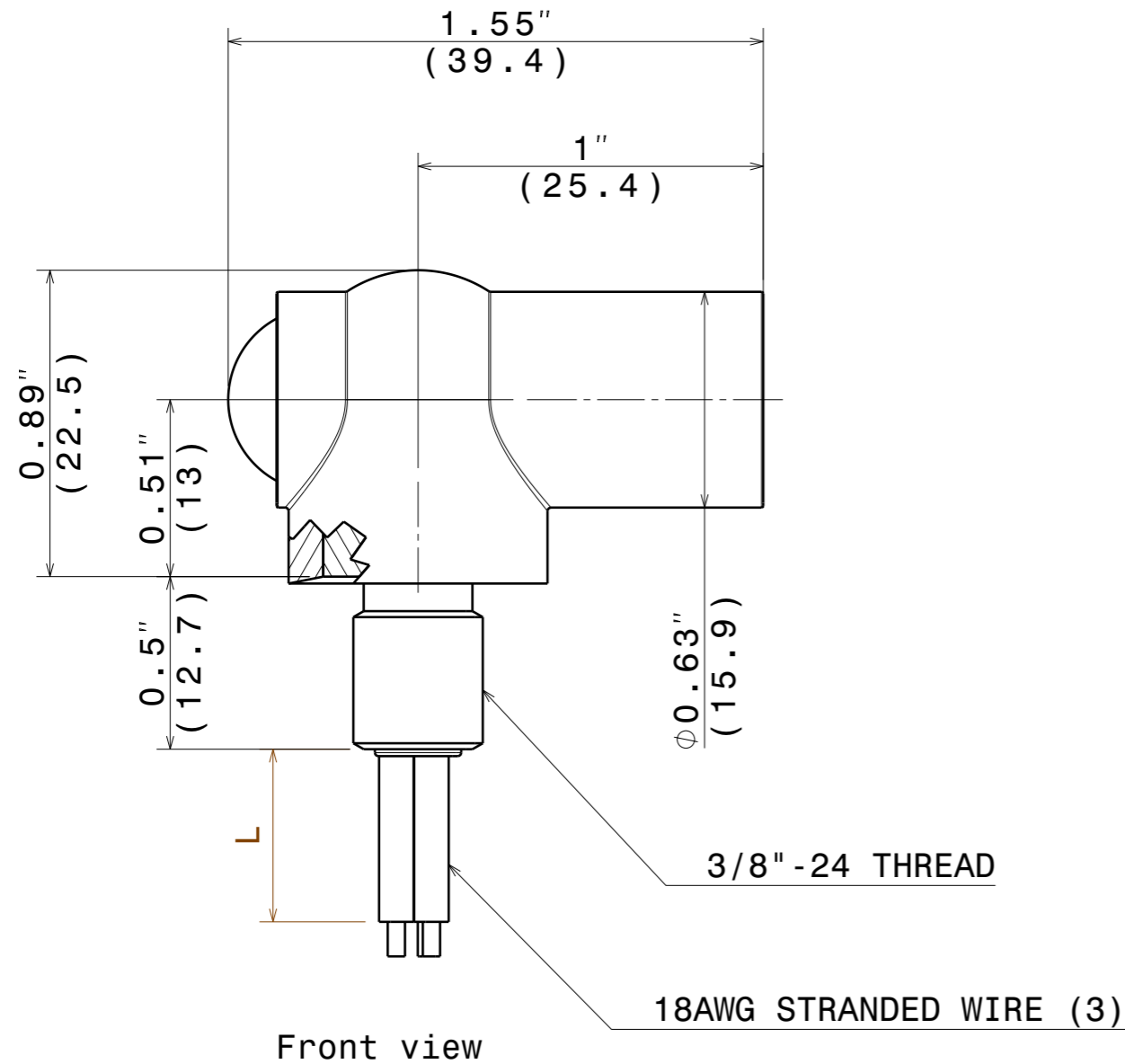


Rev.	Description	Date
-	INITIAL RELEASE	2/17/12

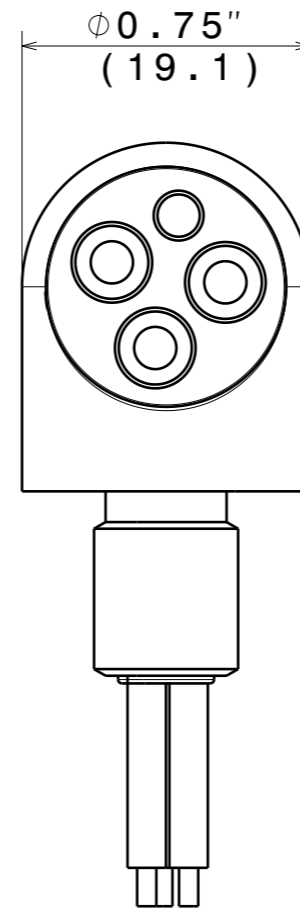
Integral seal compresses when installed



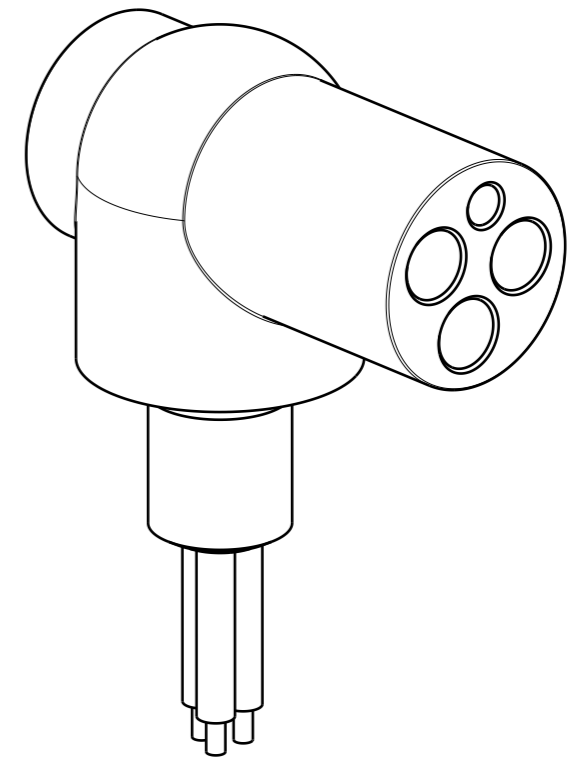
Seal Detail



Front view



Right view



Isometric view

Socket Material: Beryllium Copper, Gold Plated
 Connector Body: Neoprene
 Cable Material: Cable specific, typically EPDM
 Depth Rating: 10,000 ft. Seawater
 Current Rating (18g): 10A / 300V

Bulkhead Insert/body: CA-360 Brass

Dimensions are for reference only. Normal variation in overmolding, cable manufacture, and other manufacturing processes will occur. Customer is responsible for verifying dimensions in critical applications.

	© WET CONNECT 2012 ALL RIGHTS RESERVED THIS DOCUMENT IS SUPPLIED IN CONFIDENCE. NO REPRODUCTION OF THE DOCUMENT OR ANY PART OF IT OR OF THE ITEMS SHOWN THEREON MAY BE MADE WITHOUT THE COPYRIGHT OWNERS WRITTEN PERMISSION.	
		www.wet-connect.com
Dimension format: unless otherwise noted	Inches / (mm)	Engineer: DH
3-PIN FEMALE BULKHEAD, 90°, 3/8" -24 THREAD		Sheet
Drawing No: 3P-F-BH-90-3750	Rev: 1	1