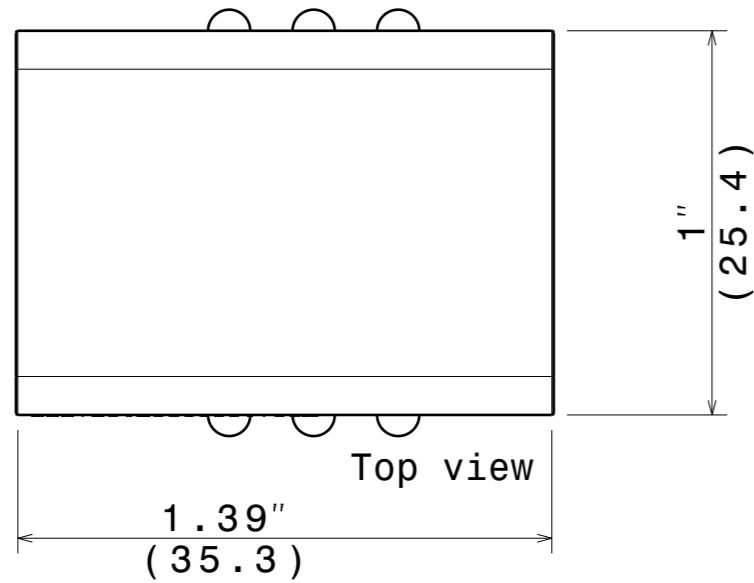
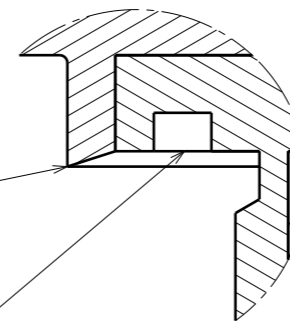


Rev.	Description	Date
-	INITIAL RELEASE	2/17/12

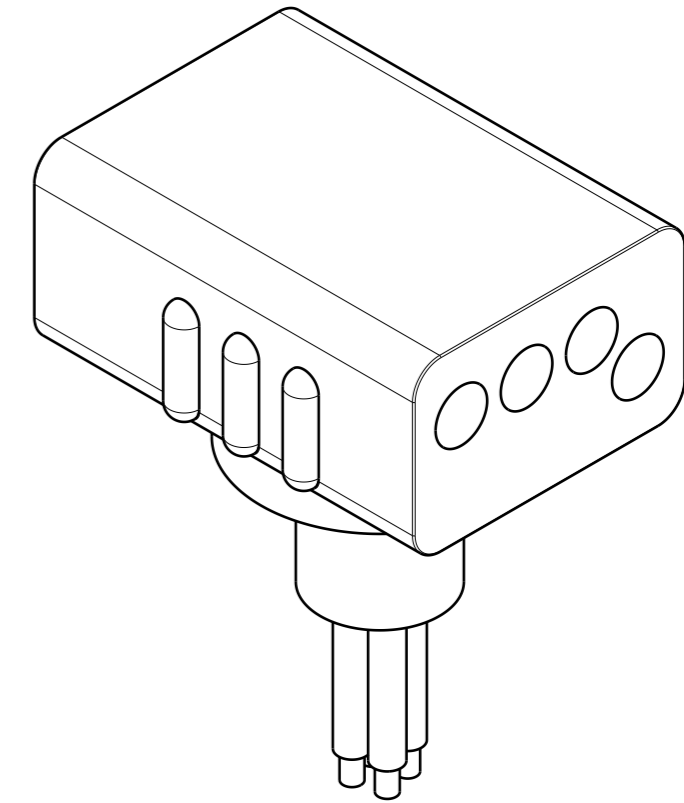
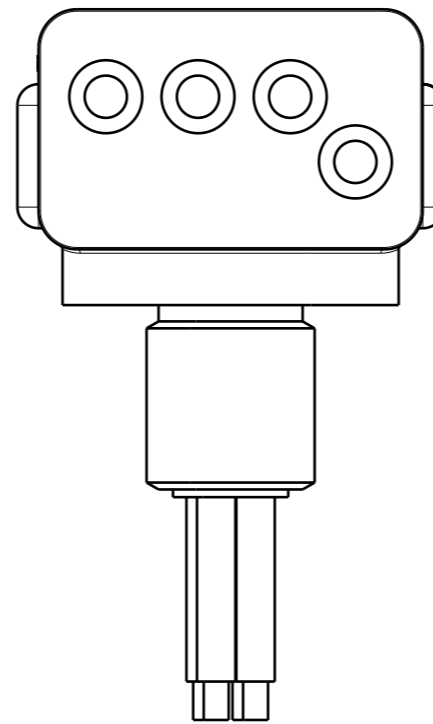
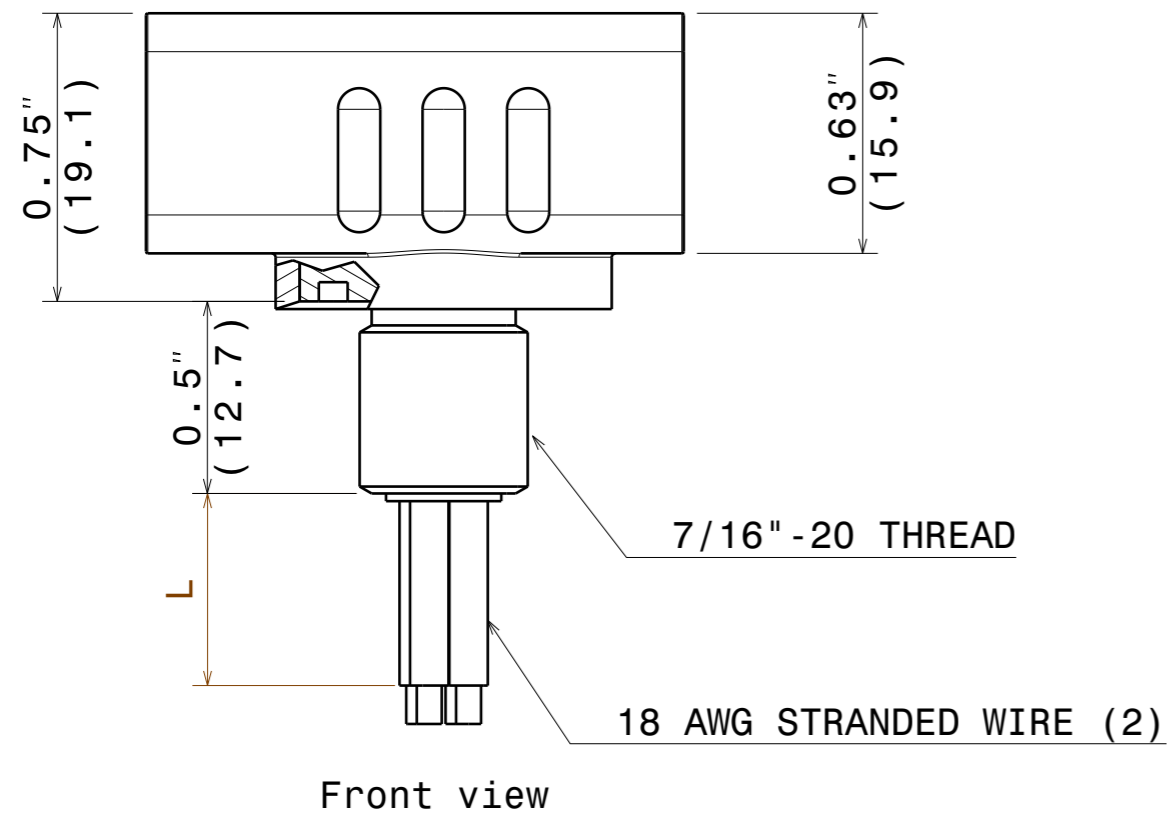


Integral seal
compresses
when installed

Groove for #2-14
O-ring main seal



Seal Detail



Isometric view
Scale: 2:1

Pin Material: CA-360 Brass, Gold Plated
 Socket Material: Beryllium Copper, Gold Plated
 Connector Body: Neoprene
 Cable Material: Cable specific, typically EPDM
 Depth Rating: 10,000 ft. Seawater
 Current Rating (18g): 10A / 300V

Bulkhead Insert/body: CA-360 Brass

Dimensions are for reference only. Normal variation in overmolding, cable manufacture, and other manufacturing processes will occur. Customer is responsible for verifying dimensions in critical applications.

	© WET CONNECT 2012 ALL RIGHTS RESERVED THIS DOCUMENT IS SUPPLIED IN CONFIDENCE. NO REPRODUCTION OF THE DOCUMENT OR ANY PART OF IT OR OF THE ITEMS SHOWN THEREON MAY BE MADE WITHOUT THE COPYRIGHT OWNERS WRITTEN PERMISSION.	
		www.wet-connect.com
Dimension format: unless otherwise noted	Inches (mm)	Engineer: DH
4-PIN LOW PROFILE FEMALE BULKHEAD, 90°, 7/16" -20 THREAD		Sheet
Drawing No: 4P-LP-F-BH-90-4375		Rev 1 - 1