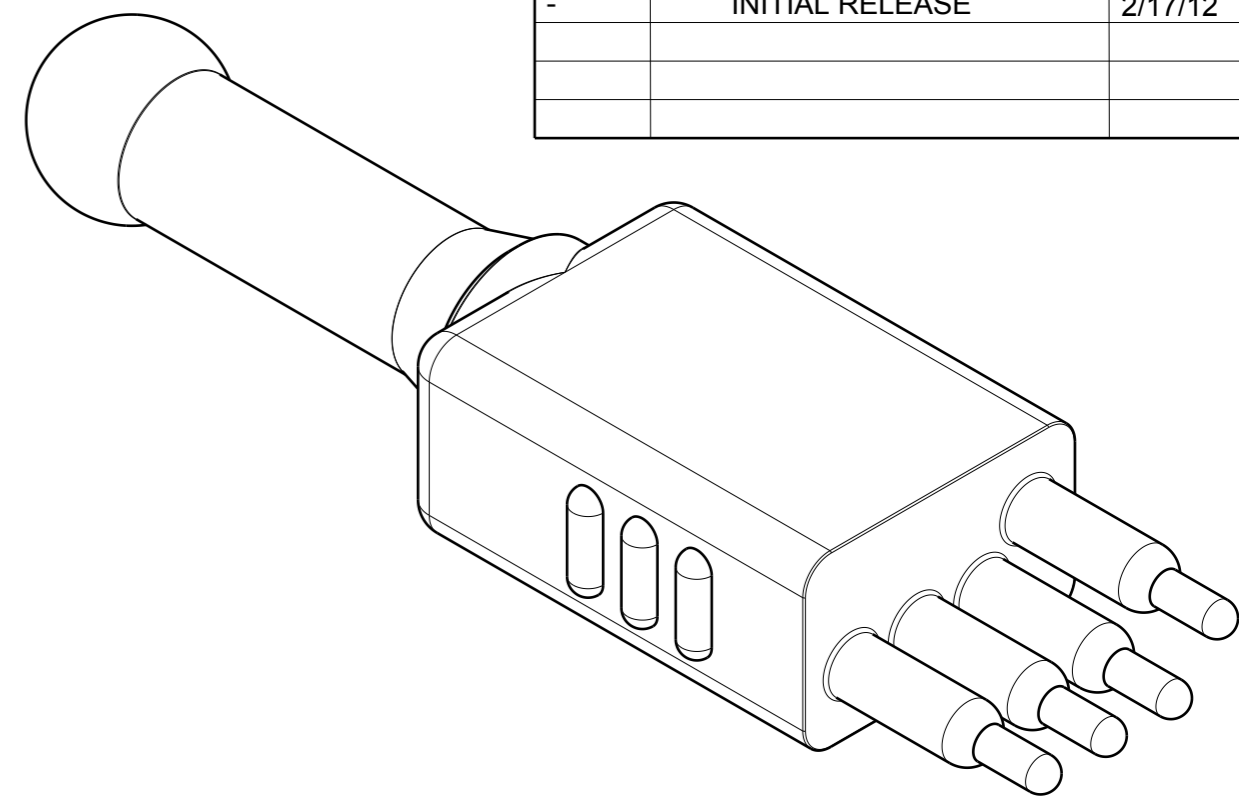
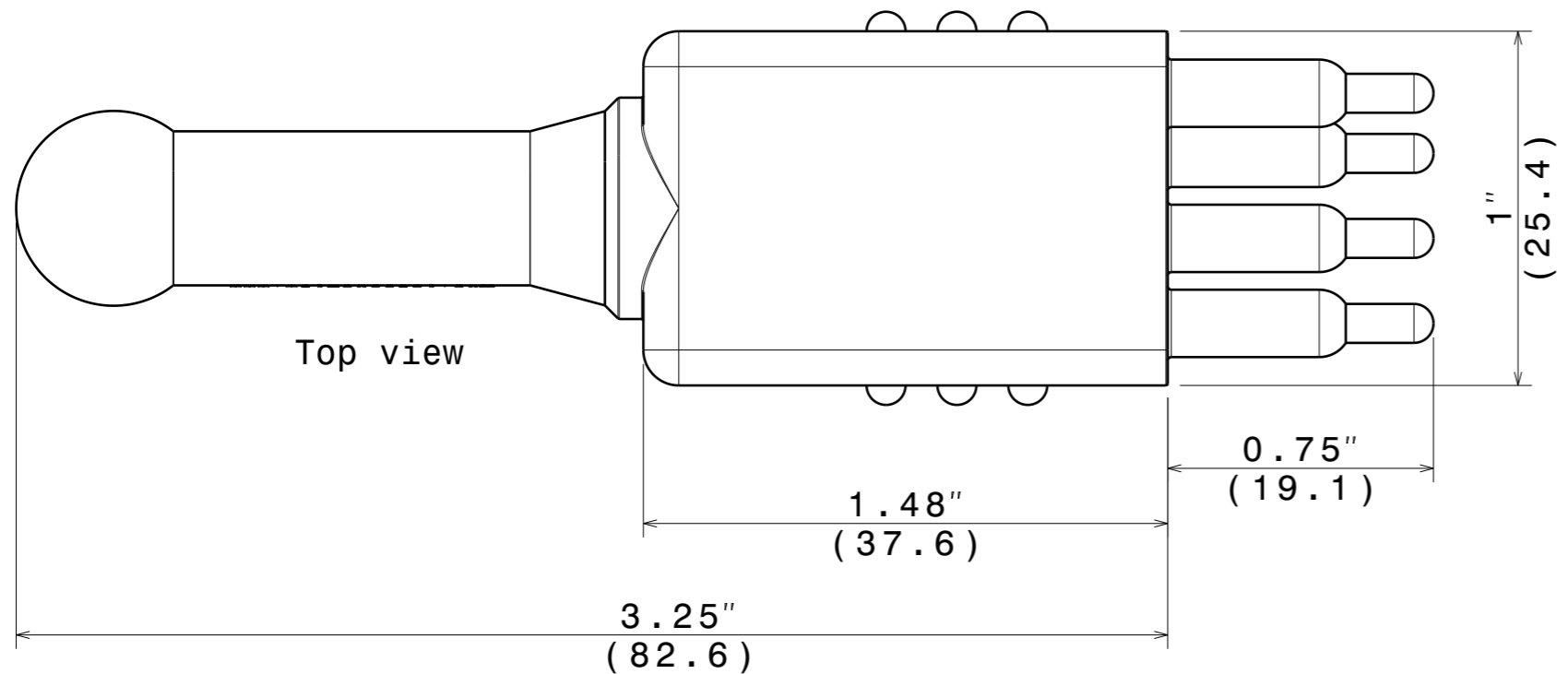
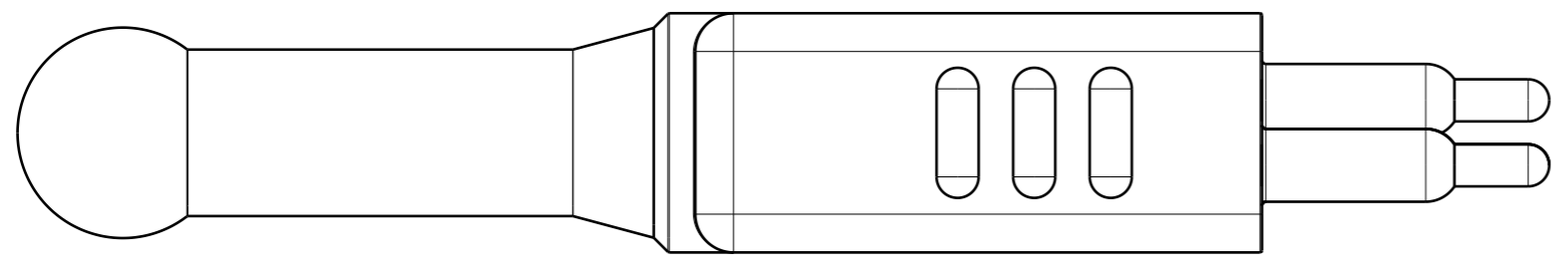


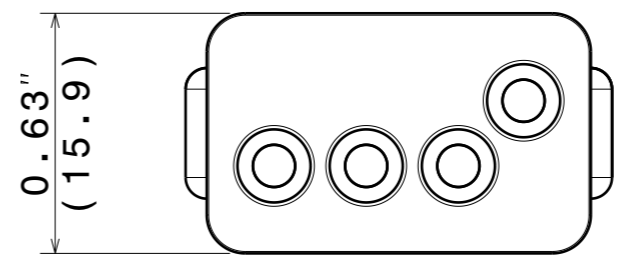
Rev.	Description	Date
-	INITIAL RELEASE	2/17/12



Isometric view
Scale: 2:1



Front view



Right view

Pin Material: CA-360 Brass, Gold Plated
Connector Body: Neoprene
Depth Rating: 10,000 ft. Seawater

Dimensions are for reference only. Normal variation in overmolding, cable manufacture, and other manufacturing processes will occur. Customer is responsible for verifying dimensions in critical applications.

	<small>© WET CONNECT 2012 ALL RIGHTS RESERVED</small> <small>THIS DOCUMENT IS SUPPLIED IN CONFIDENCE. NO REPRODUCTION OF THE DOCUMENT OR ANY PART OF IT OR OF THE ITEMS SHOWN THEREON MAY BE MADE WITHOUT THE COPYRIGHT OWNERS WRITTEN PERMISSION.</small>	
	<small>THIRD ANGLE PROJECTION</small>	www.wet-connect.com
<small>Dimension format: unless otherwise noted</small>	<small>Inches (mm)</small>	<small>Engineer: DH</small>
4-PIN MALE DUMMY PLUG		
Drawing No: 4P-M-D	Rev -	Sheet 1 / 1